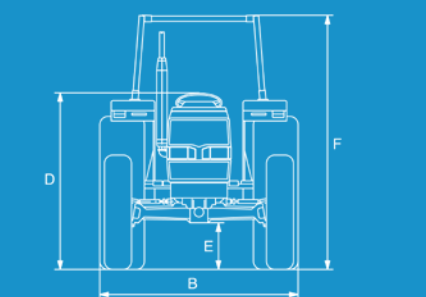
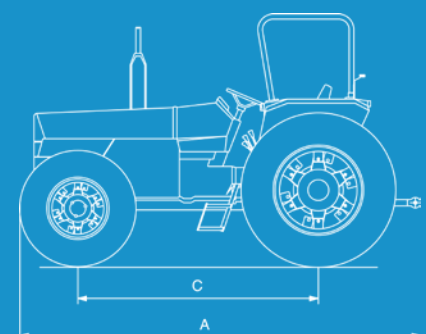


go again



Key: ● standard ○ option – not available	7865	8865
Engine		
Perkins "TIER2" direct-injection engine	1104C-44	1104C-44
max power ISO	75/55 hp/kW	81,6 / 60
max. torque	213 (290) lb. (Nm)	215 (292)
displacement/nr. of cylinders	268,5 (4400) / 4 cu. in. (cm ³)	268,5 (4400) / 4
fuel tank capacity	23 (86) gal. (lt)	23 (86)
Clutch		
independent dry dual clutch	12 (3048) in. (mm)	12 (3048)
Transmission		
base gearbox : 12FWD+4REV	○	○
reverse shuttle + base gearbox: 12FWD+12REV	●	●
reverse shuttle + base gearbox + creeper: 24FWD + 12REV	○	○
Power take-off		
2 speeds 540/750 rpm	●	●
2 speeds 540/1000 rpm	○	○
ground speed PTO	○	○
net PTO power ISO	68,5/50,5 hp/kW	75,5 / 55,5
2WD front axle		
hydrostatic steering system	○	○
maximum steering angle	60°	60°
rear mechanical diff-lock	○	○
4WD front axle		
epicyclic final drives	●	●
4WD mechanical engagement	●	●
maximum steering angle	55°	55°
Twin-Lock hydraulic diff lock 4WD	○	○
Brakes		
oil-bath graphite-coated rear brakes - 10 discs	●	●
hydraulic trailer braking system	○	○
Hydraulic power lift		
STD lifting power	6600 (3000) lb. (kg)	6600 (3000)
lifting power with 2 additional cylinders	9944 (4520) ○ lb. (kg)	9944 (4520) ○
hydraulic flow @ remote	11 (41) GPM (lt/min)	11 (41)
total hydraulic flow	17,5 (65) GPM (lt/min)	17,5 (65)
No of remote sets STD / OPT	1 / 2	1 / 2
Driver seat and Cab		
seat deluxe for cab	○	○
standard sprung seat	●	●
analogic control panel	●	●
Weights and dimensions (in running order)		
rear tyres 4WD	18,4-30	18,4 - 30
A total length without ballast	150 (3810) in. (mm)	150 (3810)
B minimum width	73,6 (1870) in. (mm)	73,6 (1870)
C wheelbase 2WD/4WD	92,1 / 91,2 (2340 / 2316) in. (mm)	92,1 / 91,2 (2340 / 2316)
D height at steering wheel	67,7 (1720) in. (mm)	67,7 (1720)
E max ground clearance 4WD	17 (430) in. (mm)	17 (430)
F height to safety frame	102 (2590) in. (mm)	102 (2590)
F height at top of cab	102 (2590) in. (mm)	102 (2590)
weight (without ballast) 4WD	6923 (3147) lb. (kg)	6923 (3147)



The ergonomically-arranged controls make the operator's work easier and more comfortable. The forward tilting hood gives easy access to the engine for maintenance operations.

The four-post ROPS can be equipped with a sun canopy. In addition to this, the tractor can be supplied with a cab as an option.

The tractor range includes two models equipped with different engine versions and a choice of three transmissions for maximum versatility and increased productivity.

Landini is a trademark of Argo Tractors S.p.A.
via G. Matteotti, 7 | 42042 Fabbino (RE) Italia
t. +39.0522.656.111 | f. +39.0522.656.476
webmaster@argotracors.com
www.argotracors.com



programmi grafici: graphics solutions | business@argotracors.com | tel. 0522/656.111 | 120217
tutti i diritti sono riservati | tutti i prezzi sono in lire italiane | tutti i prezzi sono in lire italiane | tutti i prezzi sono in lire italiane



60 Series

7865 - 8865



The warhorse is raring to

The 60 series tractors (7865 and 8865) with either two or four-wheel drive are the warhorses of Landini's stable: never tamed and always raring to go, they are ideally suited for all-round use.

Featuring a simple, economy-driven design, the 60 Series tractors deliver excellent performance and functionality for maximum reliability and extended life.

The new environment-friendly Perkins "TIER 2" 1104C series 4-cylinders engines offer high fuel efficiency, low noise and reduced emissions while delivering a high torque backup.

The driver's seat is mounted on an ample platform and equipped with a fully adjustable sprung seat to maximise the driving comfort.



New Perkins "Tier 2" 1104C series engines

The 60 Series tractors (7865 and 8865 models) are equipped with the new environment-friendly Perkins 1104C 4-cylinders engines. The new engines deliver 75 and 81.6 HP (ISO) respectively, while offering high torque backup, improved fuel economy, low noise and reduced emissions.

The forward tilting hood provides easy access to the engine for routine service and maintenance. (fig. A)

A

60 series: simplicity, economy, reliability and durability are the secret of its success



Mechanically-operated PTO clutch lever

The mechanically-operated clutch lever enables smooth and progressive engagement of the PTO. The 1 3/8-inch rear PTO provides, in addition to the ground speed, two base speeds of 540/750 rpm and two optional speeds 540/1000 rpm for enhanced versatility. (fig. E-F)

E

Twin Lock: optional simultaneous front and rear diff locks

The rear and front differential locks are hydraulically engaged by pedal ensuring smooth and efficient four-wheel drive. (fig. H)

Powerful hydraulics for power lift and auxiliary valves

The hydraulic system provides a maximum total flow of GPM 17.5 (65 l/min).

Equipped with Cat. 2 three-point linkage, the mechanical power lift provides position, draft, intermix and float control functions while ensuring a maximum lifting capacity of lb. 9944 (4520 kg). (fig. E-G)

The 60 Series tractors features one standard and one optional simple- and double-acting auxiliary valves. (Fig. H)



F

G



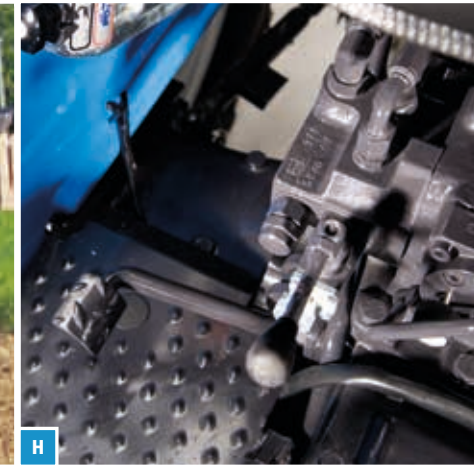
B



C



D



H



I

New 4WD front axle
The latest-generation four-wheel drive axle with mechanical engagement features epicyclic final drives and allows a 55° steering angle. (fig. B)

Three options of modular transmission
The base transmission features a four-speed, three-range gearbox with reverse which provides 12FWD+4REV speeds. The second option includes a reverse shuttle which allows the driver to reverse all speeds of the base gearbox thus obtaining 12FWD+12REV speeds. The third option with creep speed unit provides a total of 24FWD+12REV speeds.
The centrally-located reverse shuttle lever allows the driver to reverse all gears and engage the creep speed option with maximum comfort. (fig. C)

Analog instrument panel
The control panel features analog instruments for simple and fast reading and provides the operator with real-time information for proper tractor and implement operation. (fig. D)



Ample and comfortable driver's seat
With fully adjustable sprung seat, hydraulic steering and ergonomically-arranged controls, the driver's seat allows the operator to work with maximum comfort. The four-post ROPS can be optionally equipped with a sun canopy.
A cab with heating and ventilation is also available as an option. (fig. I)