



MIST-BLOWER SPRAYERS



ATP 1018R | ATP 1519R | ATP 2019R

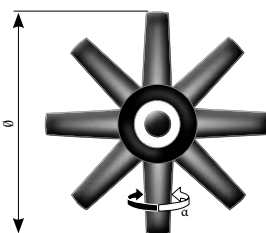
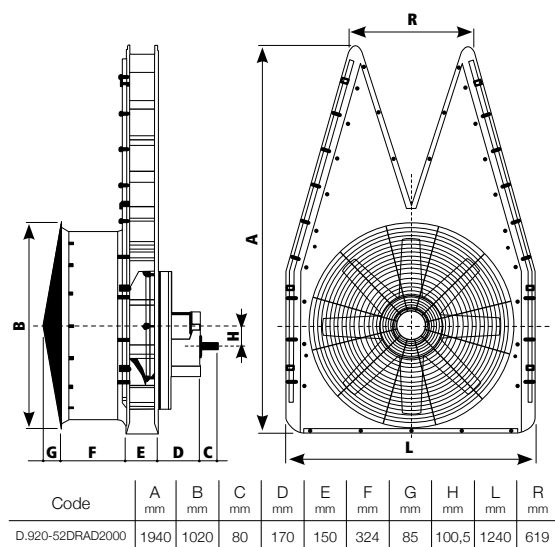
TRAILED MODELS	ATP 1018R	ATP 1519R	ATP 2019R
Polyethylene Tank	Std.	Std.	Std.
Tank Capacity	1000ltr.	1500ltr.	2000ltr.
Handwash Tank for Operator Safety	Std.	Std.	Std.
Suction Filter Size	38mm/50 Mesh	38mm/50 Mesh	38mm/50 Mesh
Hydraulic Agitator with Manual Tap	Std.	Std.	Std.
Freshwater Tank with 3-Way Manual Valve for Automatic Rinsing of: Main Tank, Control Unit, Hoses, Suction Filter, Nozzles and Anti-Drip Valve	Std.	Std.	Std.
Aluminium Fan	820mm Diameter	920mm Diameter	920mm Diameter
Adjustable Fan Pitch Angle	25° 35° 45°	25° 35° 45°	25° 35° 45°
Fan Speed	2	2	2
Pump Delivery	121ltrs/min.	141ltrs/min.	141ltrs/min.
Manual Control Unit with Precision Pressure Gauge	Std.	Std.	Std.
2nd Lid with Cap Premixer	Std.	Std.	Std.
Nozzle Holders in Brass with Anti-Drip Valve	Nr.20 Double Nozzles	Nr.20 Double Nozzles	Nr.20 Double Nozzles
Stainless Steel Boom Clamps	Std.	Std.	Std.
Hot Dip Galvanized Frame	Std.	Std.	Std.
"Eyed" Type Adjustable Drawbar	Std.	Std.	Std.
Axles Adjustable Both in Width and Height	Std.	Std.	Std.
Tyre Size	65/70x15	65/70x15	65/70x15
Recommended Tractor Kilowatt	33-37kW	44-48kW	48-59kW
PTO Speed	540rpm	540rpm	540rpm

SPRAYER REFERENCES:

- **AP:** 3-point hitched sprayer.
- **ATP:** Trailed Sprayer with polyurethane tank.
- **R:** With air flow rectifier.
- **HF:** Rear mounted tower.

PUMPS:

- On the 1000 liters we assemble a standard Comet pump 115 (APS 121) with 3 membranes. We can also assemble, on request, a 142 liter pump with 4 membranes (APS 145).
- In the 1500-2000 liters we assemble a standard Comet pump 141 liters (APS 141) with 5 membranes. We can assemble both APS 121 and APS 145.



Ø Fan	Blades		PTO	Fan Speed	α	Air Delivery		Absorbed Power	
	N°	rpm				25° / 35° / 45°	25° / 35° / 45°		
720	8	540	540	2160	25° / 35° / 45°	m³/h		kW	
						17.640 / 22.320 / 25.920			4,1 / 8,2 / 13,4
						23.040 / 28.080 / 32.040			7,6 / 15,3 / 25,5
720 SUPER	8	540	540	2160	25° / 35° / 45°	m³/h		kW	
						17.640 / 23.400 / 30.240			9,5 / 13,6 / 22,1
						23.040 / 30.240 / 36.000			11 / 19,1 / 28,7
820	8	540	540	1890	25° / 35° / 45°	m³/h		kW	
						28.116 / 31.680 / 34.056			6,3 / 10,6 / 13,3
						30.240 / 37.080 / 39.960			12,5 / 18,1 / 23,3
820 SUPER	8	540	540	1890	25° / 35° / 45°	m³/h		kW	
						27.720 / 34.560 / 36.720			9,9 / 19,1 / 22,8
						33.120 / 39.960 / 46.080			16,9 / 23,5 / 36,1
920	8	540	540	1890	25° / 35° / 45°	m³/h		kW	
						30.960 / 39.960 / 42.120			9,5 / 14 / 20
						37.080 / 46.080 / 48.960			17,7 / 25 / 35,3
920 SUPER	8	540	540	1890	25° / 35° / 45°	m³/h		kW	
						37.080 / 42.770 / 48.600			12,5 / 18,4 / 26,5
						43.920 / 52.920 / 60.120			22,8 / 35,3 / 50



ALBUZ ATR Nozzles



Manual Control Unit with Precision Gauge



Nylon Mixer Basket



Comet Pump